

**JERROLD**

®

INSTRUCTION SHEET

435-132.2

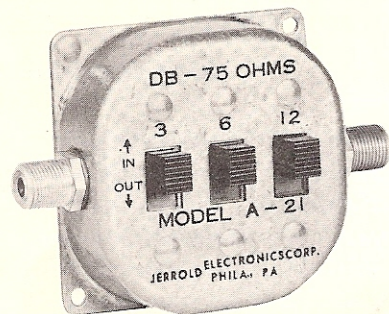
# VARIABLE R-F ATTENUATOR

**MODEL A-21**

## DESCRIPTION

Model A-21 is an r-f attenuator variable in 3-dB steps over a range of values from 0 to 21 dB.

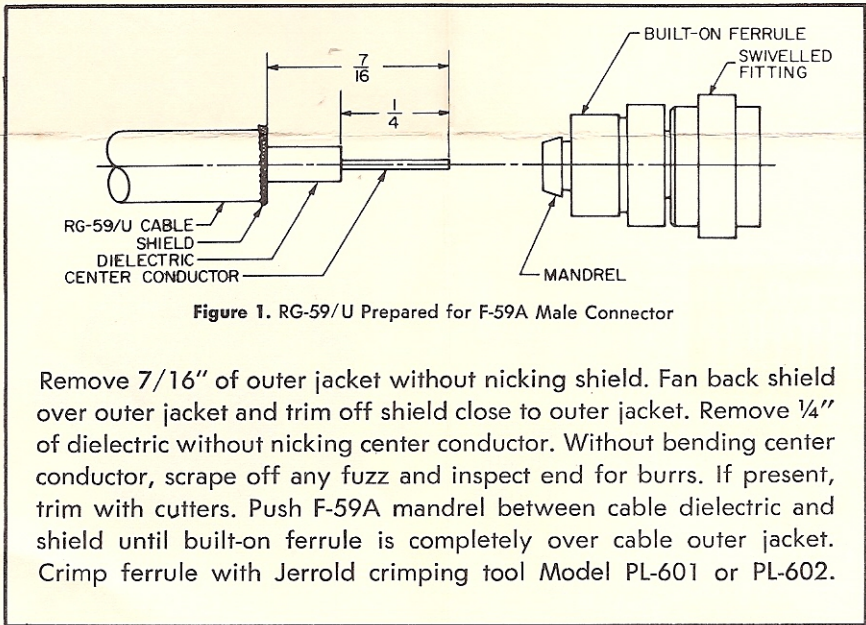
The unit consists of three attenuator pads which can be switched into and out of a circuit by means of three slide switches. The unit is equipped with F-61A fittings; two mating F-59A connectors are supplied with the unit.

**MODEL A-21**

## SPECIFICATIONS

FREQUENCY RANGE	DC to 25 Mc/s
ATTENUATION RANGE	0 to 21 dB, in 3-dB steps
ATTENUATION ACCURACY	$\pm 1$ dB @ 21 dB attenuation
INPUT AND OUTPUT IMPEDANCE	75 ohms
MAX. VSWR (MIN. RETURN LOSS)	1.2:1 (21 dB) @ 250 Mc/s
INSERTION LOSS	0.5 dB @ 250 Mc/s
MAX. POWER DISSIPATION	0.5 watt

## INSTALLATION OF F-59A CONNECTOR ON RG-59/U CABLE




Remove  $\frac{7}{16}$ " of outer jacket without nicking shield. Fan back shield over outer jacket and trim off shield close to outer jacket. Remove  $\frac{1}{4}$ " of dielectric without nicking center conductor. Without bending center conductor, scrape off any fuzz and inspect end for burrs. If present, trim with cutters. Push F-59A mandrel between cable dielectric and shield until built-on ferrule is completely over cable outer jacket. Crimp ferrule with Jerrold crimping tool Model PL-601 or PL-602.

JERROLD ELECTRONICS CORPORATION  
Philadelphia, Pa. 19132



Printed in the U.S.A.  
LM, Nov. 1965 435-132.2

 © 36360